



- 1
- 2
- 3
- 4
- 5
- 6
- 7
- 8
- 9
- 10
- 11
- 12
- 13
- 14
- 15
- 16
- 17
- 18
- 19

**STANDARD EXECUTIONS**

Black-oxide steel body, hardened steel ball

- **GN 815.1-ST**: stainless steel normal end-force spring.
- **GN 815.1-STs**: steel spring with heavy end-force.

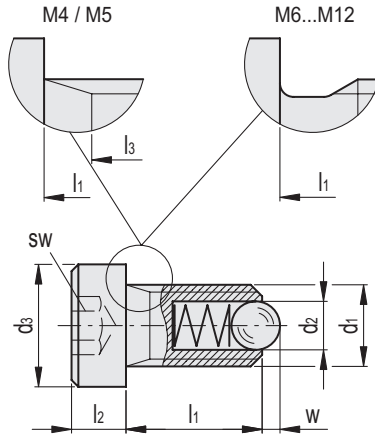
AISI 303 stainless steel body, hardened AISI 420C stainless steel ball :

- **GN 815.1-NI**: stainless steel normal end-force spring.
- **GN 815.1-NIS**: Stainless steel heavy end-force spring.

**FEATURES AND APPLICATIONS**

GN 815.1 plungers are used as stops or push elements.

The collar provides an indication of the mounting position.



Conversion Table	
1 mm = 0.039 inch	
d2	
mm	inch
2.5	0.10
3	0.12
3.5	0.14
4.5	0.18
6	0.23
8	0.31

**GN 815.1-ST**



Code	Description	d1	d2	d3	l1	l2	l3	sw	w	Spring preload [N]	Spring max load [N]	
GN.34072	GN 815.1-M4-ST	M 4	2.5	6	9	3	7.5	2	0.8	8	14	2
GN.34075	GN 815.1-M5-ST	M 5	3	8	10	4	8.2	2.5	0.9	8	14	3
GN.34078	GN 815.1-M6-ST	M 6	3.5	10	10	5	-	3	1	11	18	4
GN.34082	GN 815.1-M8-ST	M 8	4.5	13	12.5	5.5	-	4	1.5	18	31	8
GN.34085	GN 815.1-M10-ST	M 10	6	16	17	6	-	5	2	24	45	15
GN.34088	GN 815.1-M12-ST	M 12	8	18	19	7	-	6	2.5	26	49	22

**GN 815.1-STs**

Code	Description	d1	d2	d3	l1	l2	l3	sw	w	Spring preload [N]	Spring max load [N]	
GN.34090	GN 815.1-M4-STs	M 4	2.5	6	9	3	7.5	2	0.8	12	18	2
GN.34092	GN 815.1-M5-STs	M 5	3	8	10	4	8.2	2.5	0.9	15	22	3
GN.34093	GN 815.1-M6-STs	M 6	3.5	10	10	5	-	3	1	19.3	26.6	4
GN.34094	GN 815.1-M8-STs	M 8	4.5	13	12.5	5.5	-	4	1.5	36	60.5	8
GN.34095	GN 815.1-M10-STs	M 10	6	16	17	6	-	5	2	57	103.5	15
GN.34096	GN 815.1-M12-STs	M 12	8	18	19	7	-	6	2.5	61	110	22

**GN 815.1-NI**



Code	Description	d1	d2	d3	l1	l2	l3	sw	w	Spring preload [N]	Spring max load [N]	
GN.34071	GN 815.1-M4-NI	M 4	2.5	6	9	3	7.5	2	0.8	8	14	2
GN.34074	GN 815.1-M5-NI	M 5	3	8	10	4	8.2	2.5	0.9	8	14	3
GN.34077	GN 815.1-M6-NI	M 6	3.5	10	10	5	-	3	1	11	18	4
GN.34081	GN 815.1-M8-NI	M 8	4.5	13	12.5	5.5	-	4	1.5	18	31	8
GN.34084	GN 815.1-M10-NI	M 10	6	16	17	6	-	5	2	24	45	15
GN.34087	GN 815.1-M12-NI	M 12	8	18	19	7	-	6	2.5	26	49	22

**GN 815.1-NIS**

Code	Description	d1	d2	d3	l1	l2	l3	sw	w	Spring preload [N]	Spring max load [N]	
GN.34073	GN 815.1-M4-NIS	M 4	2.5	6	9	3	7.5	2	0.8	12	18	2
GN.34076	GN 815.1-M5-NIS	M 5	3	8	10	4	8.2	2.5	0.9	15	22	3
GN.34079	GN 815.1-M6-NIS	M 6	3.5	10	10	5	-	3	1	19.3	26.6	4
GN.34083	GN 815.1-M8-NIS	M 8	4.5	13	12.5	5.5	-	4	1.5	36	60.5	8
GN.34086	GN 815.1-M10-NIS	M 10	6	16	17	6	-	5	2	57	103.5	15
GN.34089	GN 815.1-M12-NIS	M 12	8	18	19	7	-	6	2.5	61	110	22

Indexing and positioning elements